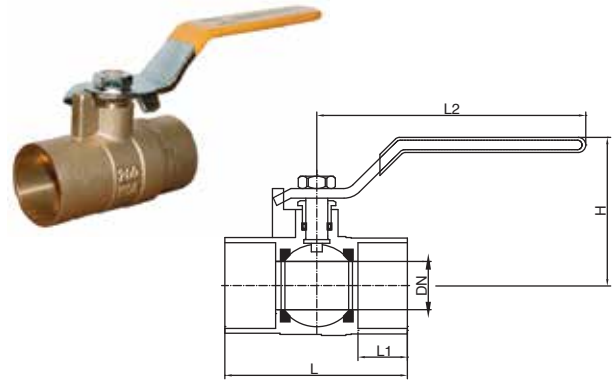


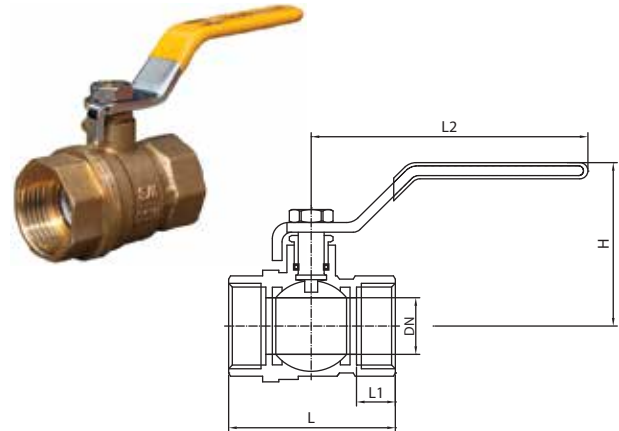
Válvula de Esfera Soldable (Paso reducido)

CLAVE	MODELO	MEDIDA	WOG (psi)	DN	L	L1	L2	H
2821	B1896-1/2	1/2"	200	10	48	13	84	45
2822	B1896-3/4	3/4"		14	64	19	85	48
2823	B1896-1	1"		22	71	21	121	56



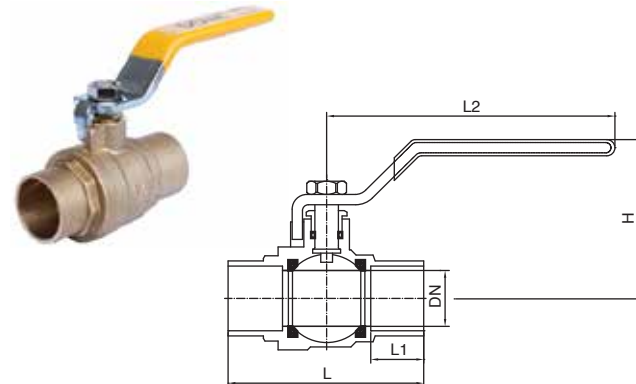
Válvula de Esfera Roscable (Paso reducido)

CLAVE	MODELO	MEDIDA	WOG (psi)	DN	L	L1	L2	H
2851	B1101-1/4	1/4"	200	9	39	9	83	43.5
2852	B1101-3/8	3/8"		9	39	9	83	43.5
2853	B1101-1/2	1/2"		13	42.5	10	83	45
2854	B1101-3/4	3/4"		17.5	51.5	12	83	48.5
2855	B1101-1	1"		22	58	12	116	58



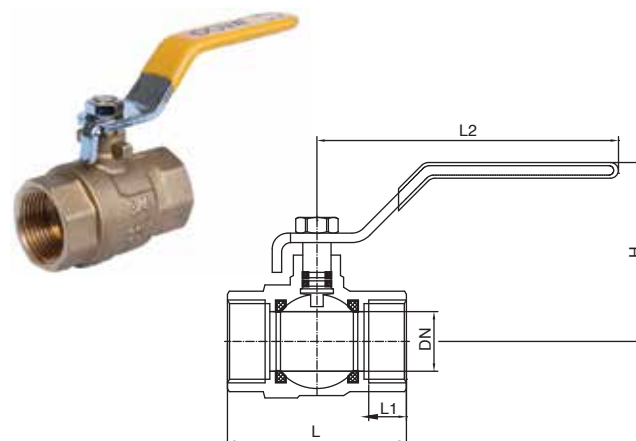
Válvula de Esfera Soldable (Paso normal)

CLAVE	MODELO	MEDIDA	WOG (psi)	DN	L	L1	L2	H
2711	B1611-1/2	1/2"	300	13.5	55	14	96	47
2712	B1611-3/4	3/4"		19	67	18	96	54
2713	B1611-1	1"		23	83.5	24	118	65
2714	B1611-1 1/4	1 1/4"		30	96	26	118	70
2715	B1611-1 1/2	1 1/2"		37	103	26	142	85
2716	B1611-2	2"		47	131	33	142	95



Válvula de Esfera Roscable (Paso normal)

CLAVE	MODELO	MEDIDA	WOG (psi)	DN	L	L1	L2	H
2701	B1121-1/4	1/4"	600	10	42	9	83	43
2702	B1121-3/8	3/8"		10	42	9	83	43
2703	B1121-1/2	1/2"	400	14.5	48	9.5	83	46
2704	B1121-3/4	3/4"		19	57	12	83	54
2705	B1121-1	1"		23	66	13.5	116	57
2706	B1121-1 1/4	1 1/4"		30	76	14.5	116	68
2707	B1121-1 1/2	1 1/2"		37	85	15	145	82
2708	B1121-2	2"		47	103	16.5	145	92
2709	B1601-3	3"		69	144	26	26.5	132
2710	B1601-4	4"		90	172	29	26	150



Válvula de Esfera Roscable

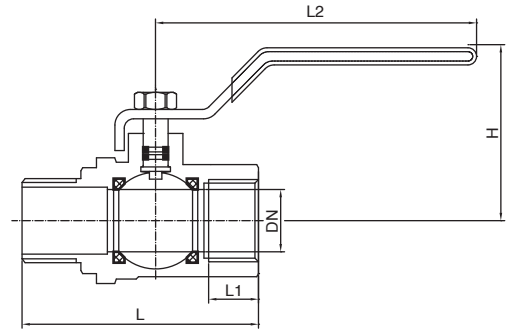
CLAVE	MODELO	MEDIDA	WOG (psi)	DN	L	L1	L2	H
2721	B1102-1/2	1/2"	200	13	51	10	92	41
2722	B1102-3/4	3/4"		17.5	59	10.5	92	46
2723	B1082-1	1"		21	63.5	10.5	95	54



B1082

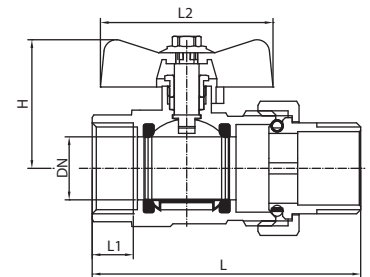


B1102



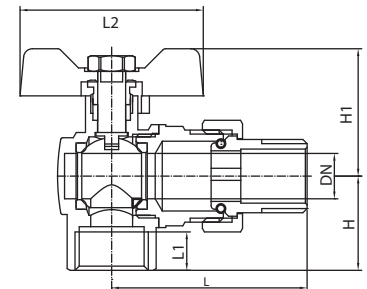
Válvula de Esfera con Tuerca Unión

CLAVE	MODELO	MEDIDA	WOG (psi)
2731	B1171-1/2	1/2"	300
2732	B1171-3/4	3/4"	
2733	B1171-1	1"	
2734	B1171-1 1/4	1 1/4"	
2735	B1171-1 1/2	1 1/2"	



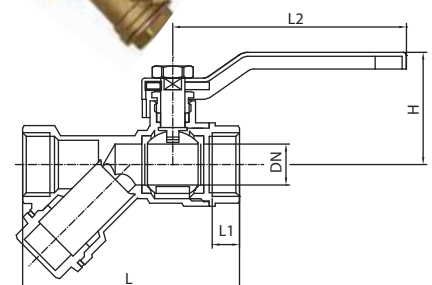
Válvula de Esfera Tipo L con Tuerca Unión

CLAVE	MODELO	MEDIDA	WOG (psi)
2811	B1007-1/2	1/2"	300
2812	B1007-3/4	3/4"	
2813	B1007-1	1"	



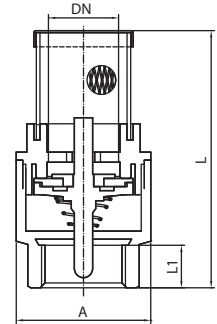
Válvula de Esfera Tipo "Y" con Filtro

CLAVE	MODELO	MEDIDA	WOG (psi)	DN	L	L1	L2	H
2761	B1151-1/2	1/2"	200	12	71.5	10.5	85	41
2762	B1151-3/4	3/4"		15	86	12	113	46
2763	B1151-1	1"		23	106	13	113	53



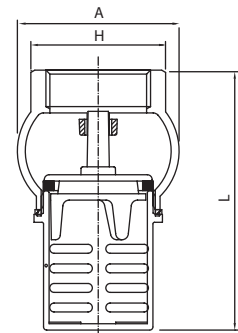
Válvula Pie

CLAVE	MODELO	MEDIDA	A	DN	L	L1
2750	B6002-1/2	1/2"				
2751	B6002-3/4	3/4"	37	20	76	10.5
2752	B6002-1	1"	45	24	85	12
2753	B6002-1 1/4	1 1/4"	59.2	38	101	12.5
2754	B6002-1 1/2	1 1/2"	67.6	44	117	12.5
2755	B6002-2	2"	81	56	137	15
2756	B6002-3	3"	110	78	163	20
2757	B6002-4	4"	140	98	183	22



Válvula Pie

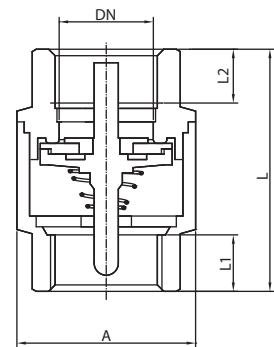
CLAVE	MODELO	MEDIDA	H	A	L
9801	DS104-1/2	1/2"	27	33	60
9802	DS104-3/4	3/4"	33	39	69
9803	DS104-1	1"	40	45	74
9804	DS104-1 1/4	1 1/4"	50	56	85
9805	DS-104-1 1/2	1 1/2"	57	61	90
9806	DS104-2	2"	70	71	100
9807	DS104-3	3"	104	105	145
9808	DS104-4	4"	135	138	175



*Construida totalmente en bronce.

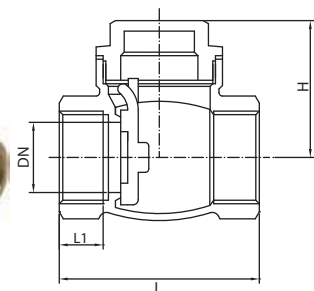
Check Universal

CLAVE	MODELO	MEDIDA	A	DN	L	L1	L2
2741	B6001-1/2	1/2"	30	15.5	42.5	9.5	9.5
2742	B6001-3/4	3/4"	37	20	47	12	12
2743	B6001-1	1"	44.5	24	52	12	12
2744	B6001-1 1/4	1 1/4"	59.2	38	61.5	12.5	12.5
2745	B6001-1 1/2	1 1/2"	67.6	43	68.5	12.5	12.5
2746	B6001-2	2"	81	55	75.5	15	15
2747	B6001-3	3"	110	78	97	20	20
2748	B6001-4	4"	140	100	100	22	22



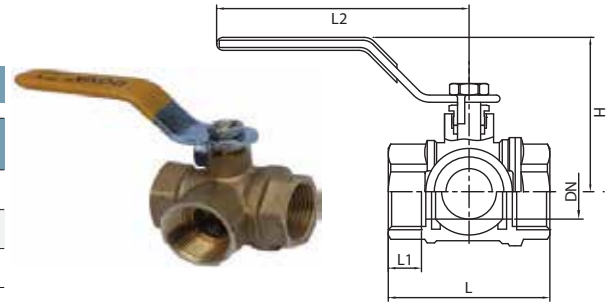
Check de Columpio

CLAVE	MODELO	MEDIDA	WOG (psi)	DN	L	L1	H
2781	B8001-1/2	1/2"	DN15	14	46	12.5	36
2782	B8001-3/4	3/4"	DN20	20	57	12.5	39
2783	B8001-1	1"	DN25	24	68	14.5	45
2784	B8001-1 1/4	1 1/4"	DN32	31	76	16.5	53
2785	B8001-1 1/2	1 1/2"	DN40	37	86	18.5	59.5
2786	B8001-2	2"	DN50	46	100	18.5	66.5
2787	B8001-3	3"	DN80	64	124	20	81.5
2788	B8001-4	4"	300	74	160	25	97



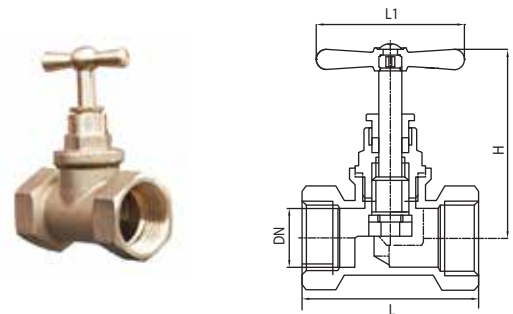
Válvula de Esfera Triple Vía

CLAVE	MODELO	MEDIDA	WOG (psi)	DN	L	L1	L2	H
2801	B1188-1/2	1/2"	200	15	53	11.5	87	49
2802	B1188-3/4	3/4"		19	55	11	87	51.5
2803	B1188-1	1"		23	66	14	130	64.5



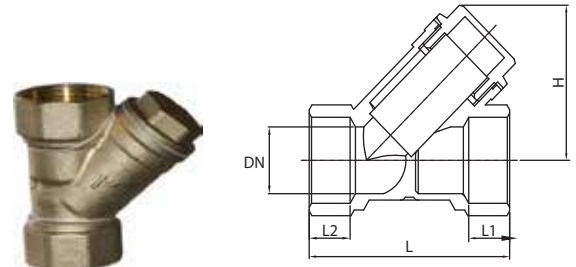
Válvula de Globo Roscable

CLAVE	MODELO	MEDIDA	WOG (psi)	DN	L	L1	H
2834	B8001A-3/4	3/4"	300	20	57	36.5	65.5



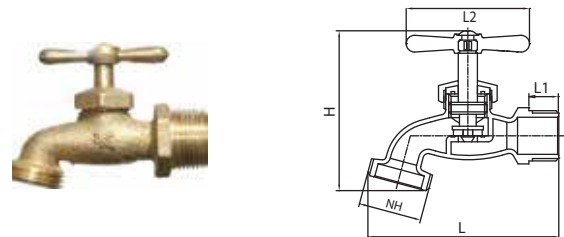
Filtro Tipo "Y" (ATRAPA SÓLIDOS)

CLAVE	MODELO	MEDIDA	DN	L	L1	L2	H
2771	B7001-1/2	1/2"	16.5	55	11	13	40
2772	B7001-3/4	3/4"	20	67	12	12	47.5
2773	B7001-1	1"	24.5	72	14	14	54



Grifos

CLAVE	MODELO	MEDIDA	NH	L	L1	L2	H
2791	B2013-1/2	1/2"	3/4"	80	12.5	51.5	67
2792	B2013-3/4	3/4"	3/4"	81	13.5	51.5	67



Grifos

CLAVE	MODELO	MEDIDA	NH	L	L1	L2	H
2796	B2039-1/2	1/2"	15	74	12.5	51.5	66
2797	B2039-3/4	3/4"	15	76	13.5	51.5	67

